



## UV Sensor Probe

Model: APL-UVx-1y

### General features:

- Stable high temperature operation
- Single power supply
- Analog 0-5 V or 4-20 mA output
- High sensitivity and proved reliability



**Applications:** Radiant intensity measurement for UV curing, UV sterilization monitoring

### Specifications:

General parameters						
Dimensions	Light pipe diameter (mm)	Light pipe length (mm)	Weight (g)	Amplifier circuit case body	Light pipe	Heat shield
See drawing below	9	5	280	Al	Quartz	Teflon
Parameters	Symbol	Value	Unit	Remark		
Maximum ratings						
Operation temperature	$T_{op}$	-20-100	°C			
Electro-optical characteristics (25 °C)						
Supply voltage	$V_{cc}$	8-24	V	DC		
Output signal	$I_{out}$	4-20	mA	2 wire circuit (APL-UVx-11)		
				3 wire circuit (APL-UVx-12)		
	$V_{out}$	0-5	V	3 wire circuit (APL-UVx-13)		
Detection wavelength range <sup>1</sup>	$\lambda$	220-290	nm	APL-UVC-1y		
		220-325		APL-UVB-1y		
		220-370		APL-UVA-1y		
		290-440		APL-UVV-1y		
UV power intensity measurement range	P	0-1000	mW/cm <sup>2</sup>	See other options <sup>2</sup>		
Connection						
Cable length <sup>3</sup>	2 m					

<sup>1</sup> UVA, UVB, UVC, UVV and full UV band are all available upon request.

<sup>2</sup> UV power intensity measurement range: 0-1000 mW/cm<sup>2</sup> (standard), 0-30 W/cm<sup>2</sup> (option).

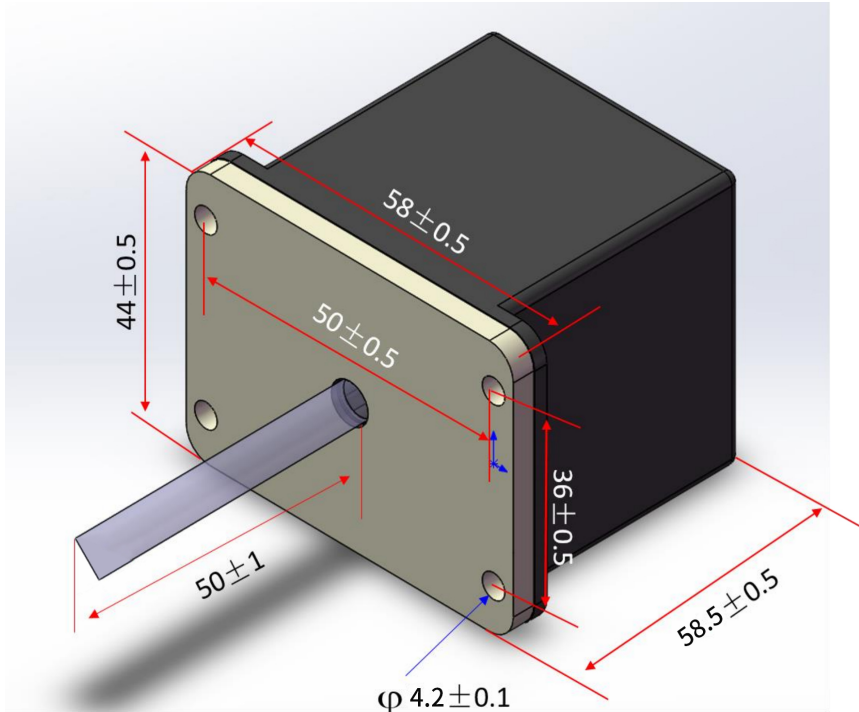
<sup>3</sup> Cable length can be customized upon request.



# UV Sensor Probe

Model: APL-UVx-1y

Drawing (unit: mm)



## Touchscreen UV radiometer (optional)

- Fully compatible with all GaNo Opto's UV sensor probes
- Real time display of UV power density, UV source accumulated service time and UV source output efficiency
- System settings for UV output calibration, timer reset, operation status cartoon, threshold of failure alarm and initial 100% output efficiency normalization
- One channel input and 24 V power supply
- Customized Chinese and English versions



## Lite-edition UV radiometer (optional)

- Fully compatible with all GaNo Opto's UV sensor probes
- 5 digital real time display of UV power density
- Pre-calibration or re-calibration for specific UV light source upon request
- Optional RS-485 or relay output
- One channel input and 9-24 V power supply

